

SPACE MIND



NPC SPACEMIND

SOLUTIONS IN SPACE APPLICATIONS

BUSINESS IDEA

Design and realization of space hardware

- Cubesat subsystem
- Space debris mitigation devices



High performances pointing system

- ALTAZ mount for space debris tracking
- Laser ranging and radio application
- Astronomy applications

Design of space mission



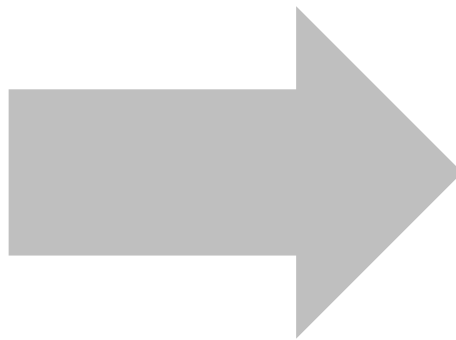
CUBESAT Structures

- 6 Deployment switch
- Modular from 1U to 6U



ARTICA

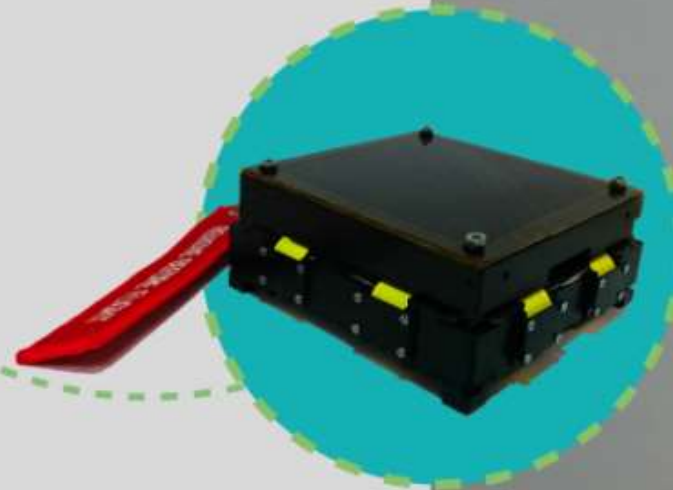
- **ARTICA** is a deorbiting for cubesat designed by NPC
- Currently in orbit on board URSA MAIOR
- 2,2 meter square sail stored in a compact subsystem (90x90x18mm).



ARTICA

The system is currently in orbit for validation

Launch: 23 June 2017 - PSLV



SPACE MIND

NPC
new production concept

MORAL
ACCURACY VELOCITY CONTROL

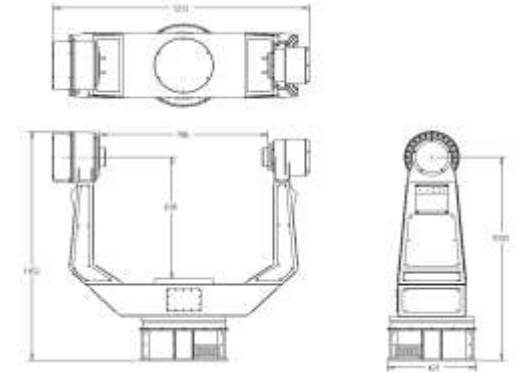
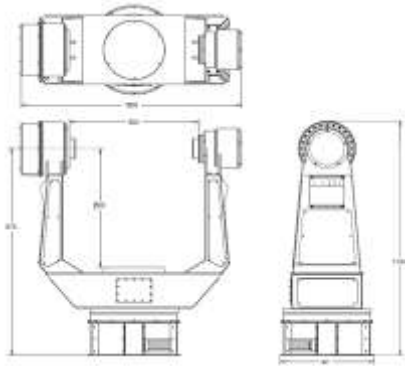


SPACE MIND

NPC
new production concept



Telescope mount 500mm/700mm



Antenna mount 2-5m

Multipayload tracking mount

